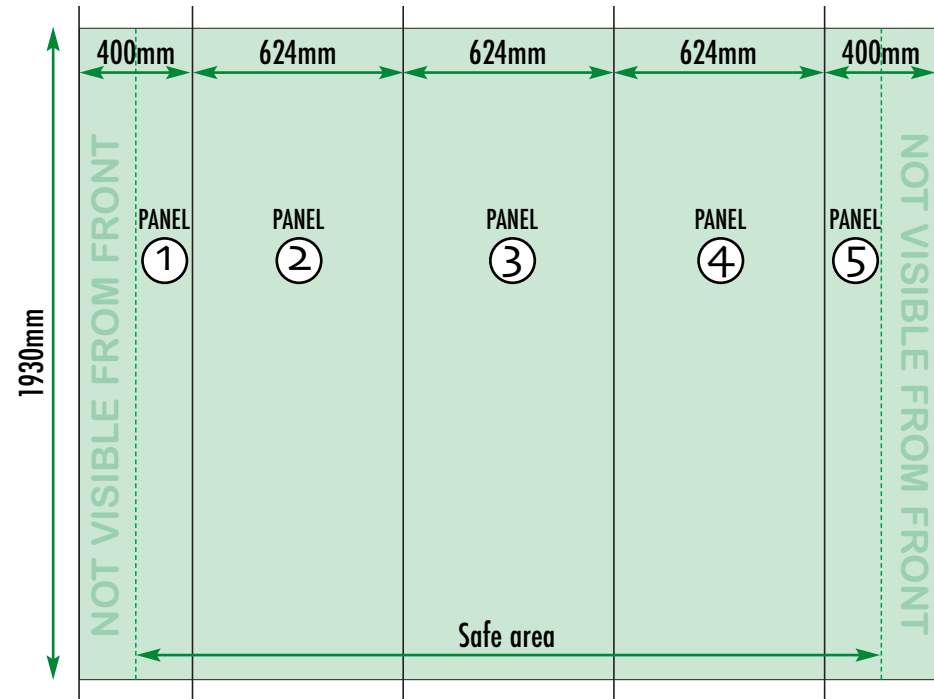


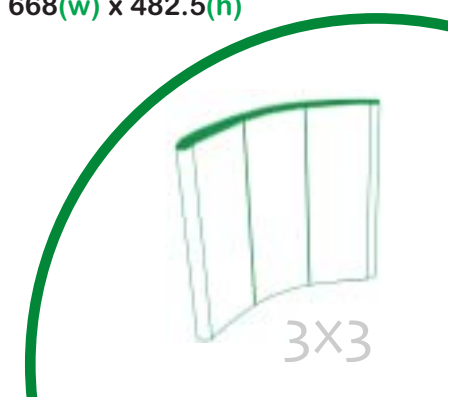


Artwork Instructions

SIZE	The template is set-up at 25% of the output size and is dimensionally accurate.
LAYOUT	Artwork must be laid out over the shaded area, where possible avoid running text characters across the joins.
BLEED	A bleed of 2.5mm at the template size must be included as shown.
SCANS	100dpi at the final output size is recommended. This is equivalent to 60mb per sqm of printed images. Scans should be CMYK.
TIFFS	Coloured up greyscale or bitmap tiffs should have spot colour unchecked.
LOGOS	Supply logos in vector format. Import into the template at 100% or less.
COLOUR	To ensure a good match to Colours please specify as Pantone Colours or provide a colour swatch.
FONTS	Supply all fonts used including those in imported elements, or ensure they are saved as outlines/curves.
PROOFS	Supply a Colour proof of the final artwork as a content guide.
DISK	Supply artwork on CD, DVD, 100mb Zip or ISDN.
IMPORTANT	Failure to follow the above artwork instructions may result in imperfect final output and/or extra charges to correct the artwork.



	Output Size (mm)	Artwork at 25% (mm)
FRONT PANELS	624(w) x 1930(h)	156(w) x 482.5(h)
END CAPS	400(w) x 1930(h)	100(w) x 482.5(h)
TOTAL GRAPHIC	2672(w) x 1930(h)	668(w) x 482.5(h)



3x3